

KLE1015-ATEX

Specification



LED Explosion Proof Light






CE RoHS IK10 IP66



LCIE 23 ATEX 3002 X

-  II 2 G Ex db IIC T6 Gb
-  II 2 D Ex tb IIIC T80°C Db






Standards

-  EN IEC 60079-0:2018
-  EN 60079-1:2014
-  EN 60079-31:2014

IECEX LCIE 23.0002X

-  Ex db IIC T6 Gb
-  Ex tb IIIC T80°C Db

Directives

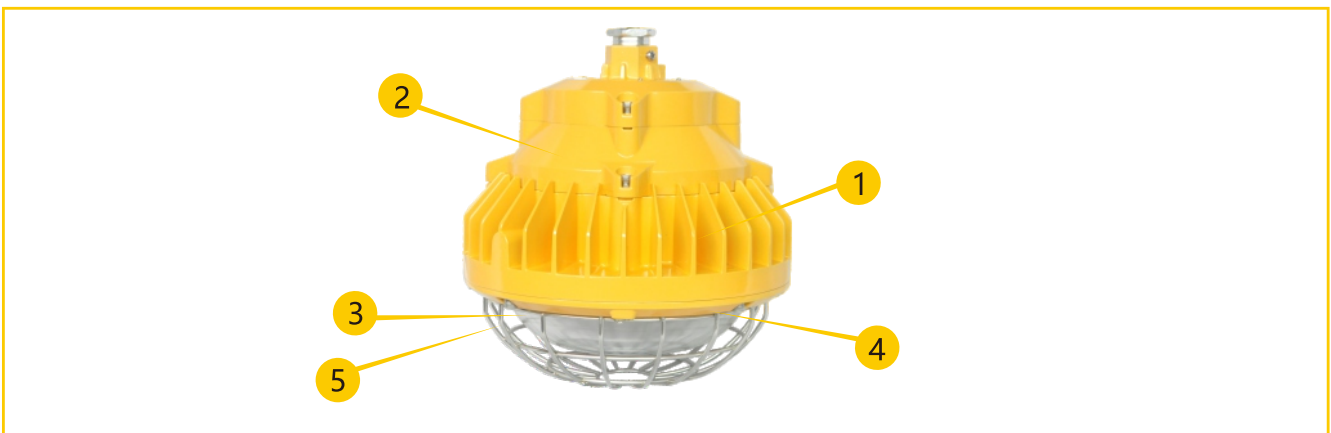
-  ATEX-2014/34/EU
-  EMC-2014/30/EU
-  LVD-2014/35/EU
-  ROHS-2011/65/EU
-  ROHS-2015/863/EU



LED Explosion Proof Light

Key Features:

- 1 Fin-type heat dissipation design, effectively reduces the temperature of the light fixture and prolongs the lifespan.
- 2 Independent wiring cavity design for more convenient and reliable wiring connection.
- 3 The transparent parts are made of tempered glass, good at impact resistance.
- 4 Professional light distribution with soft and comfortable lighting.
- 5 Equipped with stainless steel protective guard, much safer.



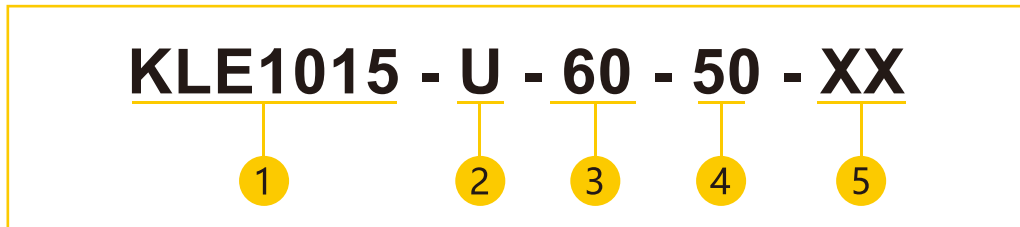
Standard Materials:

- ◆ Housing: High Quality Aluminium Alloy
- ◆ Protective guard: SUS304
- ◆ Transparent parts : Borosilicate Glass

Features & Benefits:

- ◆ 50,000 hrs lifetime.
- ◆ The color rendering index is better than HPS and LPS.
- ◆ Temperature compensation technology for longer life.
- ◆ Low maintenance costs and power consumption reduced by over 50%.
- ◆ Low temperature applications to -40°C and high temperature up to 50°C.
- ◆ The high-efficiency intelligent IC constant current driver power supply ensures the stable operation of the light source, no flicker, and prolongs the service life.
- ◆ Internationally renowned brand LED chips, high luminous efficiency, low luminous decay, energy saving and environmental protection.
- ◆ Good heat dissipation structure design can effectively reduce the temperature of the lamp body and ensure the service life of the lamp.
- ◆ Independent power supply cavity for heat dissipating to ensure the lifespan.
- ◆ No pollution, no lead, mercury and other polluting elements, green and environmentally friendly.

Catalog Number Logic



- | | |
|---|--|
| <p>1 BASIC SERIES</p> <ul style="list-style-type: none"> ◇ KLE1015 | <p>2 VOLTAGE/FREQUENCY</p> <ul style="list-style-type: none"> ◇ U=100-277VAC 50/60Hz |
| <p>3 LAMP WATTAGE</p> <ul style="list-style-type: none"> ◇ 40=40 Watt ◇ 50=50 Watt ◇ 60=60 Watt | <p>4 CCT</p> <ul style="list-style-type: none"> ◇ 60=6000K CCT ◇ 40=4000K CCT ◇ 50=5000K CCT* <p><small>*CCT 5000K is our standard, Please contact us for other CCT.</small></p> |
| <p>5 MOUNTING OPTIONS</p> <ul style="list-style-type: none"> ◇ CM=Ceiling Mount ◇ WA=Wall Mount A ◇ WB=Wall Mount B | <ul style="list-style-type: none"> ◇ GR=Guard Rail Mount ◇ FR=Flange Rod Mount |

Ex II 2 G Ex db IIC T6 Gb

Ex II 2 D Ex tb IIIC T80°C Db

-40°C ≤ Tamb ≤ 50°C

Mounting Hardware not included.
Please see options for mounting selections.

Catalog logic is for explaining catalog number structure only.
Not all combinations are possible; consult factory for catalog numbers not listed in charts.

LED Explosion Proof Light

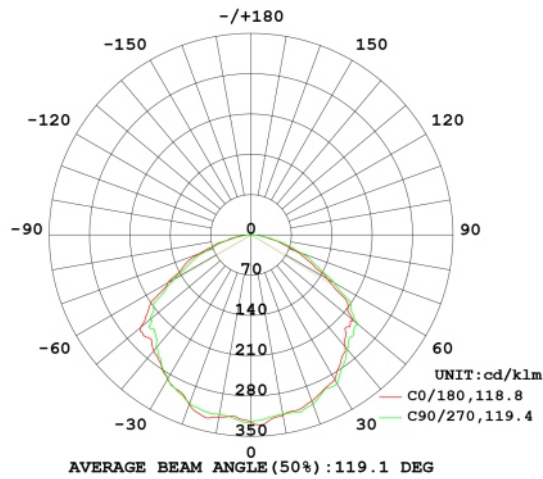
Certification Guide:

Model	Dimensions	Wattage	Operating Voltage	Total Lumens	Lumen per Watt	CRI	CCT *	Ambient Temperature	Ex-mark for Gas	Ex-mark for Dust	Supply Wire Suitable Temperature
KLE1015U40	Φ220×225mm	40W	100-277VAC 50/60Hz	5200	130	>70	5000	-40°C≤Tamb≤50°C	⊕ II 2 G Ex db IIC T6 Gb	⊕ II 2 D Ex tb IIIC T80°C Db	80°C
KLE1015U50	Φ220×225mm	50W	100-277VAC 50/60Hz	6250	125	>70	5000	-40°C≤Tamb≤50°C	⊕ II 2 G Ex db IIC T6 Gb	⊕ II 2 D Ex tb IIIC T80°C Db	80°C
KLE1015U60	Φ220×225mm	60W	100-277VAC 50/60Hz	7200	120	>70	5000	-40°C≤Tamb≤50°C	⊕ II 2 G Ex db IIC T6 Gb	⊕ II 2 D Ex tb IIIC T80°C Db	80°C

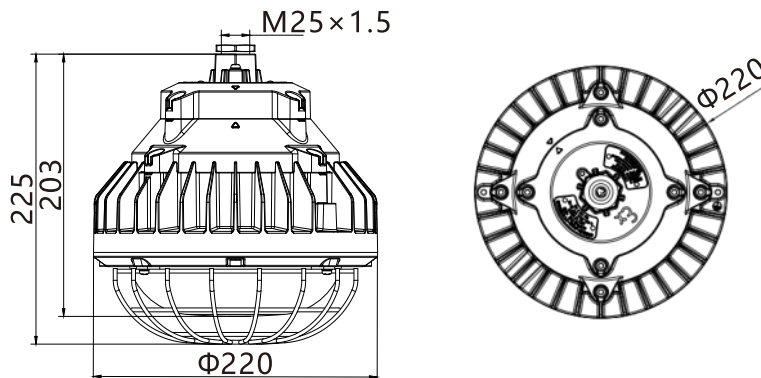
* All values typical unless otherwise stated (tolerance +/- 10%)

Photometric Data:

LUMINOUS INTENSITY DISTRIBUTION DIAGRAM



Product Size & Packaging Information:



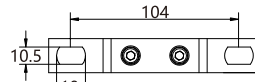
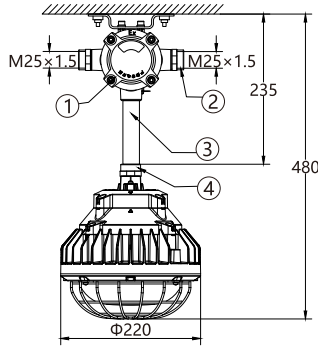
Unit: mm

Model	Power(W)	Package Size (mm)	QTY Per Carton(PCS)	N.W.(Kg)	G.W.(Kg)	Shipping Volume(m ³)
KLE1015U40	40	650*330*310	2	8.8	11.2	0.0665
KLE1015U50	50	650*330*310	2	8.8	11.2	0.0665
KLE1015U60	60	650*330*310	2	8.8	11.2	0.0665

LED Explosion Proof Light

Accessories:

Ceiling Mount



Mounting hole dimensions

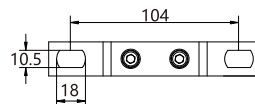
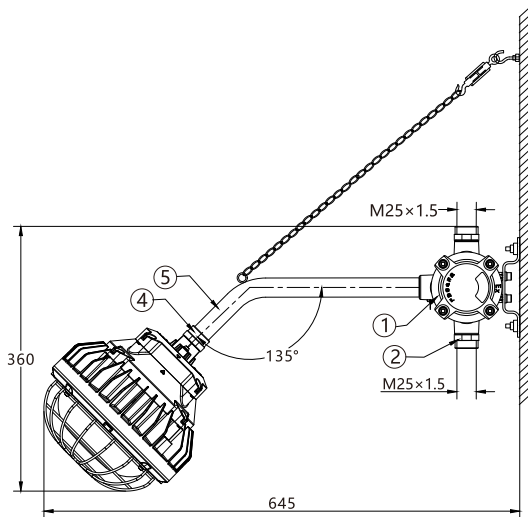


Catalog Number: 1015001
 Qty: 1kit
 Shipping Weight: 0.925kg/kit

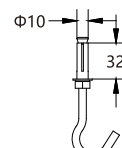
Unit: mm

Mounting Type	Ordering	Part SN	Part Name	Ordering	Part Qty.	Material	Weight(kg/pcs)
Ceiling Mount	1015001	①	Explosion proof junction box	1016006	1	ADC12	0.58
		②	Connector (male G3/4 to female M25)	1015007	2	SUS304	0.065
		③	Pole(L=100mm, G3/4)	1015011	1	Q235	0.15
		④	Connector (male M25 to female G3/4)	1015008	1	SUS304	0.065

Wall Mount A



Mounting hole dimensions



Hole diameter



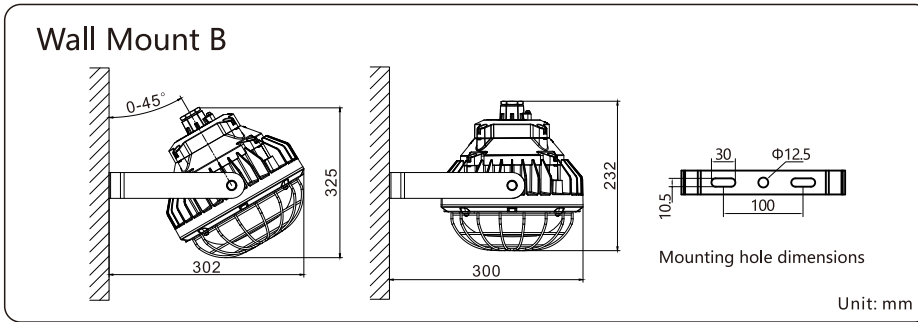
Catalog Number: 1015002
 Qty: 1kit
 Shipping Weight: 1.355kg/kit

Unit: mm

Mounting Type	Ordering	Part SN	Part Name	Ordering	Part Qty.	Material	Weight(kg/pcs)
Wall Mount A	1015002	①	Explosion proof junction box	1016006	1	ADC12	0.58
		②	Connector (male G3/4 to female M25)	1015007	2	SUS304	0.065
		④	Connector (male M25 to female G3/4)	1015008	1	SUS304	0.065
		⑤	Straight-curved pole accessories(G3/4)	1015009	1	Q235	0.58

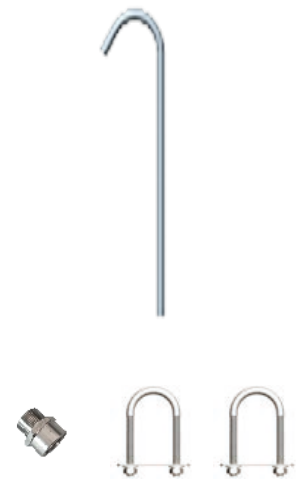
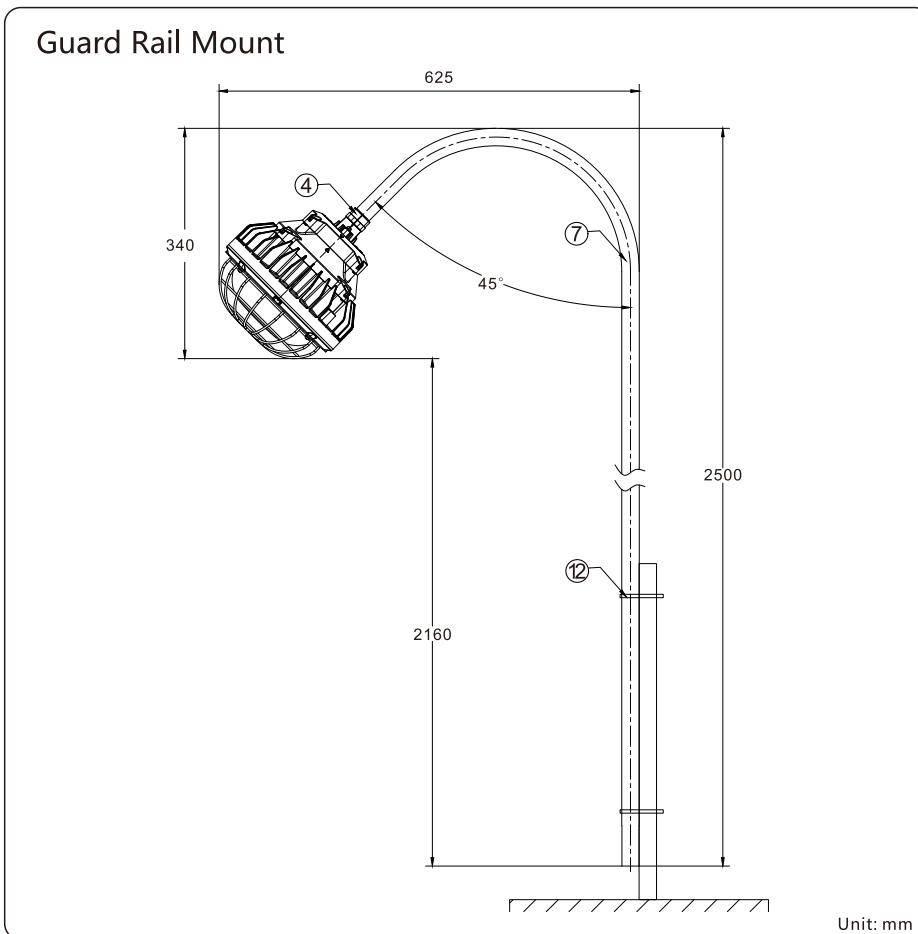
LED Explosion Proof Light

Accessories:



Catalog Number: 1015003
 Qty: 1kit
 Shipping Weight: 0.4kg/kit

Mounting Type	Ordering	Part SN	Part Name	Ordering	Part Qty.	Material	Weight(kg/pcs)
Wall Mount B	1015003	⑥	U-Bracket	1015006	1	Q235	0.4



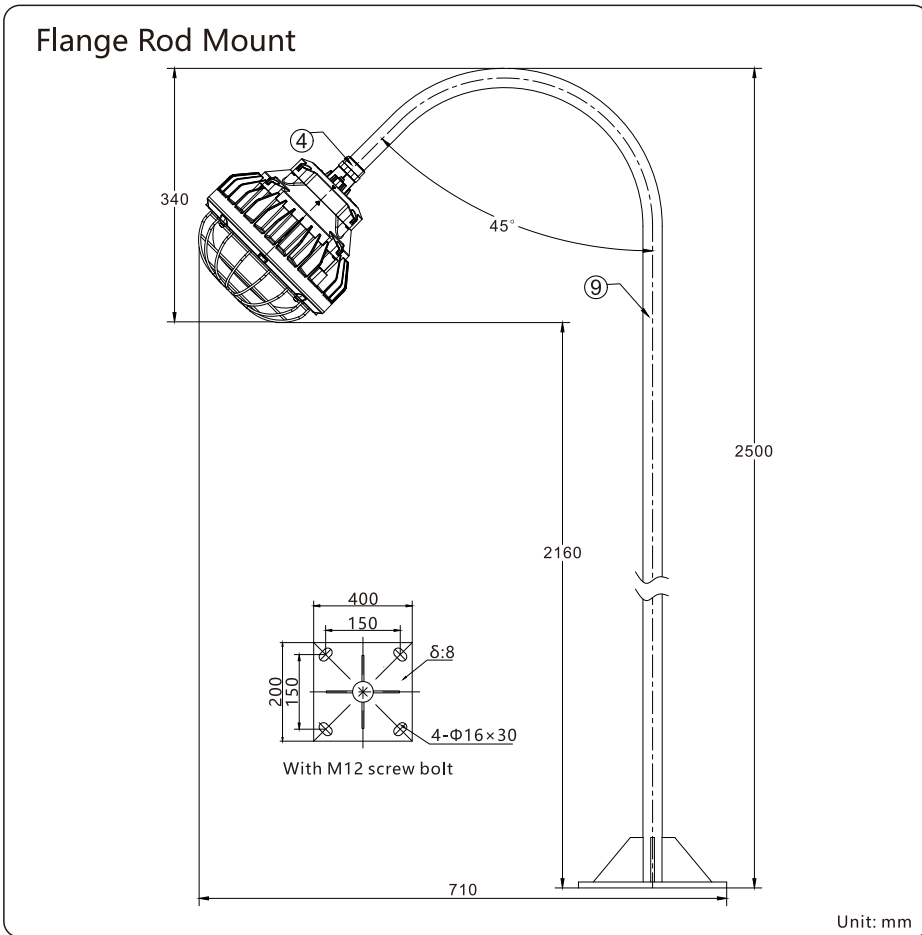
Catalog Number: 1015004
 Qty: 1kit
 Shipping Weight: 4.525kg/kit

Mounting Type	Ordering	Part SN	Part Name	Ordering	Part Qty.	Material	Weight(kg/pcs)
Guard Rail Mount	1015004	④	Connector (male M25 to female G3/4)	1015008	1	SUS304	0.065
		⑦	Guardrail Bend (G3/4)*	1015012	1	Q235	4.4
		⑫	U-Shape Pipe Clamp	1011020	2	Q235	0.03

Remarks: please contact us for guard rail.

LED Explosion Proof Light

Accessories:



Catalog Number: 1015005
 Qty: 1kit
 Shipping Weight: 7.565kg/kit

Mounting Type	Ordering	Part SN	Part Name	Ordering	Part Qty.	Material	Weight(kg/pcs)
Flange Rod Mount	1015005	④	Connector (male M25 to female G3/4)	1015008	1	SUS304	0.065
		⑨	Flange Rod(G3/4)*	1015010	1	Q235	7.5

Remarks: please contact us for flange rod.